

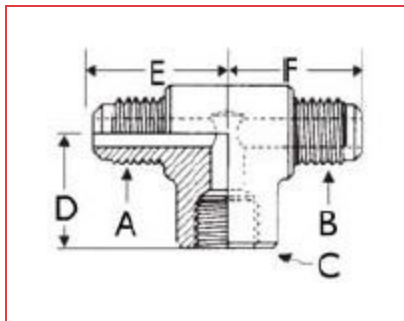
Mueller Streamline Co. Headquarters

150 Schilling Blvd
Suite 201
Collierville, Tennessee 38017
United States
Phone: 901 753 3200

Mueller Streamline Co. International

525 Okeechobee Blvd
Suite 860
West Palm Beach, FL 33401
United States
Phone: 561 273 8300

ITEM # A 06330, 45° FLARE FITTINGS - TEES - THREE-WAY, INTERNAL BRANCH



[Specifications](#) | [Dimensions](#) | [Packaging](#)

Specifications

Universal Category Code	T6-4
Connection Size	1/4 in
End Type	Flare
Second Connection Size	1/4 in
Second End Type	Flare
Third Connection Size	1/4 in
Third End Type	Flare
MAP	48 bar 700 psi
Weight	0.085 lb

Reference Indication

Gasket Furnished

Dimensions

A	1/4 mm
B	1/4 mm
C	1/4 mm
D	0.94 in
E	0.91 in

Packaging**Box (Qty)**

25